

# Midea

## RM12F1



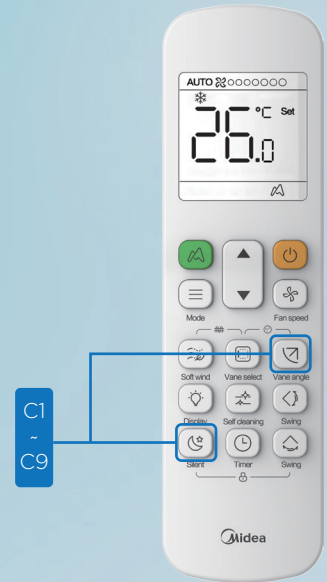
### Key Features

- ◆ On/Off , Mode, Temperature Control
- ◆ 0.5 degree/1 degree Temperature change
- ◆ Night Silent Mode Setting
- ◆ 3 Fan Speed/ 7 Fan Speed Setting
- ◆ Horizontal/ Vertical Louver Control (5 Angles for vertical louver swing)
- ◆ Turn On/ Turn Off Timer Setting
- ◆ Midea ETA Mode setting
- ◆ Self Cleaning Mode setting
- ◆ Sterilization function setting
- ◆ Indoor Unit Address Setting
- ◆ Indoor Unit Parameter Setting
- ◆ Indoor Unit Spot check function



# Parameter Setting function

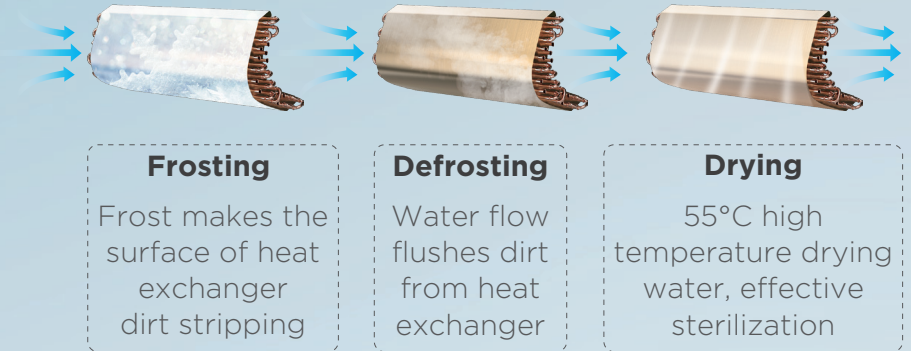
- C1: RM12F1 can be used to set the ESP (External Static Pressure) for the duct units
- C2: RM12F1 can be used to set the indoor unit fan turn off time in heating mode
- C3: RM12F1 can be used to set the cold draft temperature settings
- C4: RM12F1 can be used to set the heating temperature compensation settings
- C5: RM12F1 can be used to set the cooling temperature compensation settings
- C6: RM12F1 can be used to enable or disable the auto-restart function of indoor unit
- C7: RM12F1 can be used to set the opening degree of EEV for heating and standby mode
- C8: RM12F1 can be used to set the outdoor temperature conditions for electric auxiliary heating
- C9: RM12F1 can be used to set the mode switching time interval in auto mode



Press the Vane Angle and Silent key together for 8 seconds to enter the menu and chose C1-C9

# Self Cleaning Setting

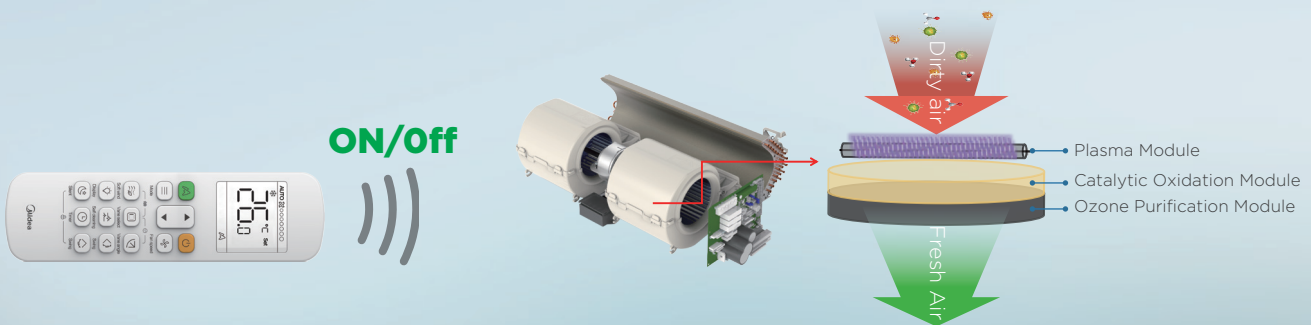
Can be turned on Self Cleaning mode.



\*The self clean function is only available for V8 mini VRF.

# Sterilization setting

If the sterilization function is available for the indoor unit, it can be turned on or turned off using this setting.



## Midea Building Technologies Division

### Midea Group

Add.: Midea Headquarters Building, 6 Midea Avenue, Shunde, Foshan, Guangdong, China  
Postal code: 528311

mbt.midea.com    www.midea-group.com

Midea reserves the right to change the specifications of the product, and to withdraw or replace products without prior notification or public announcement. Midea is constantly developing and improving its products.

